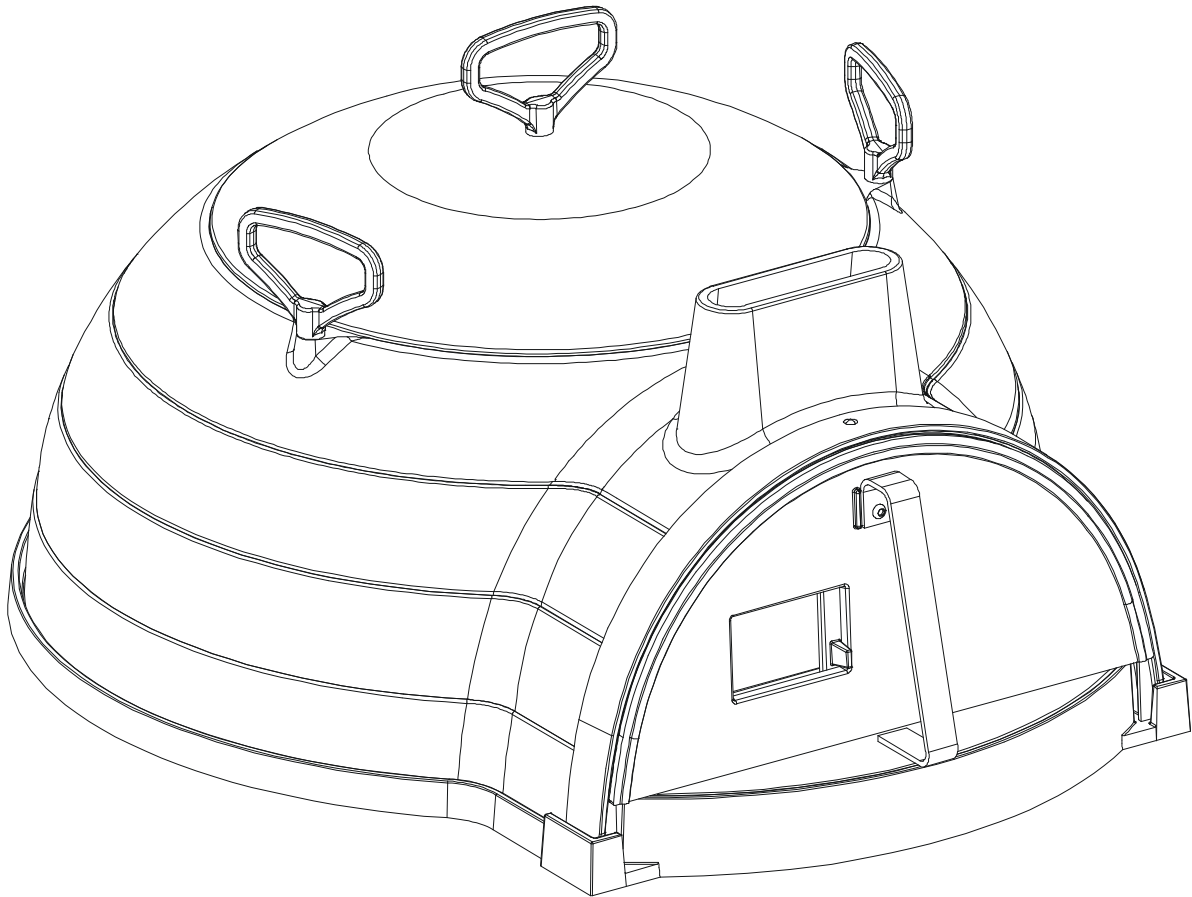
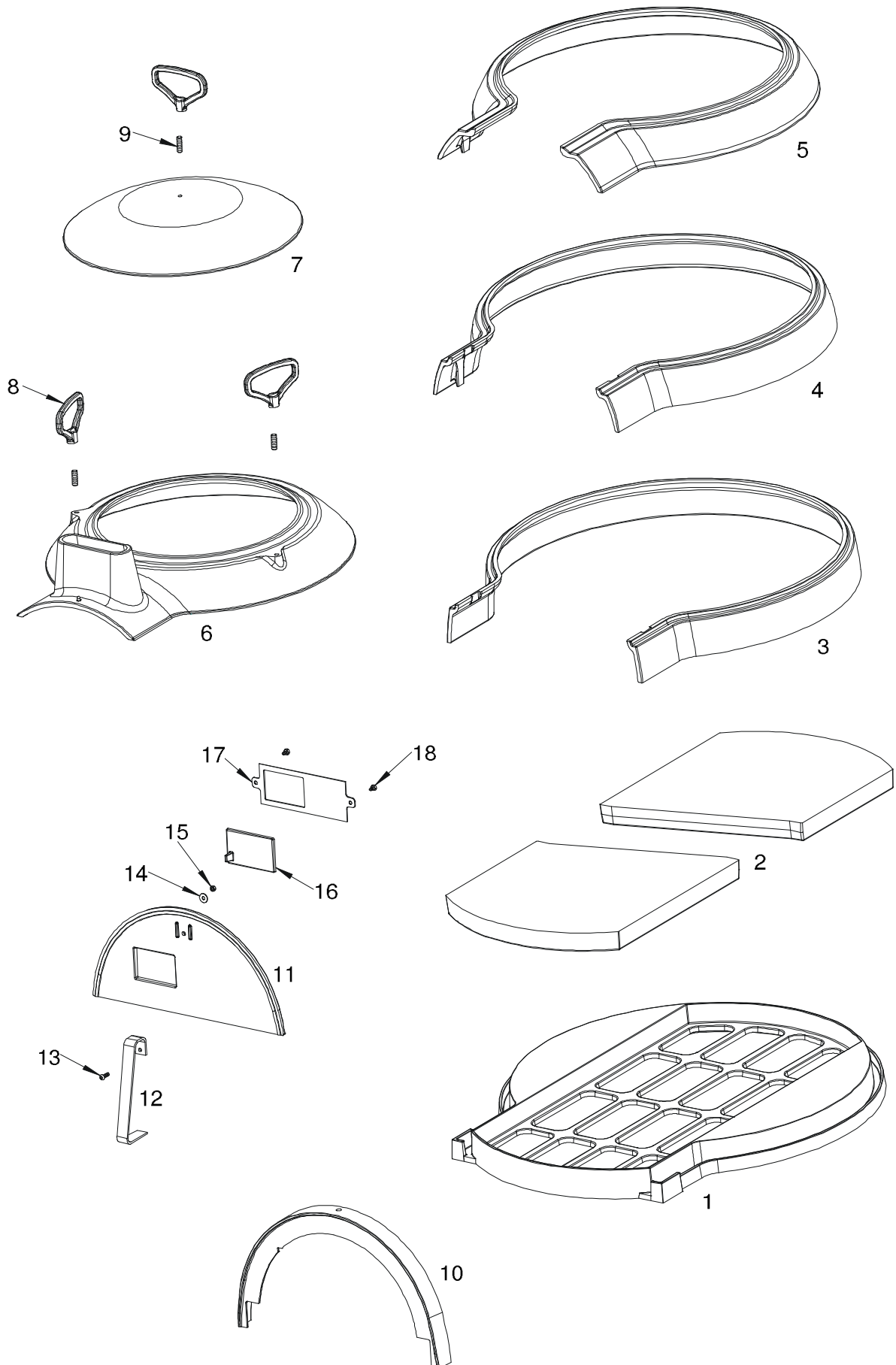


AD737500A  
September 2019



### Assembly instructions

- Place the base (1) on a suitable surface.
- Put in the bricks (2)
- Attach rings (Figs. 3, 4, 5, 6) and cover (7).
- Attach the arch frame (10).
- Attach the door.



# MULTIFUNCTION OVEN KIT

## Lo Goustaou

Reference: 737500

<b>Item</b>	<b>Qty</b>	<b>Item name</b>	<b>Model:</b>
<b>1</b>	1	Base	<b>FB 7376015</b>
<b>2</b>	2	Fire brick	<b>AT737600A</b>
<b>3</b>	1	Ring 5	<b>FB 7376003</b>
<b>4</b>	1	Ring 4	<b>FB 7376004</b>
<b>5</b>	1	Ring 3	<b>FB 7376005</b>
<b>6</b>	1	Ring 2	<b>FB 7376006</b>
<b>7</b>	1	Cover	<b>FB 7376007</b>
<b>8</b>	3	Handle	<b>FB 7376008</b>
<b>9</b>	3	10X30 Headless Screw	<b>AV8710300</b>
<b>10</b>	1	Arch frame	<b>FB 7376009</b>
<b>11</b>	1	Hearth door	<b>FB 7376010</b>
<b>12</b>	1	Door Handle	<b>AT406760A</b>
<b>13</b>	1	6X20 Crowned screw	<b>AV8686200</b>
<b>14</b>	1	No 6 Washer	<b>AV4110060</b>
<b>15</b>	1	No 6 Hexagonal Nut	<b>AV7100060</b>
<b>16</b>	1	Lighting position	<b>FB 7376014</b>
<b>17</b>	1	Lighting position base	<b>AT416760A</b>
<b>18</b>	2	Hexagonal Screw 6x10	<b>AV8406100</b>

### *Please note.*

Your new Invicta multifunction oven is for household, not professional use. Use outdoors only. Familiarize yourself with your new oven before using it for the first time. Carefully read the recommendations, assembly instructions and operating instructions.

### *Getting started*

Place the assembled oven on a flat, stable surface, away from any hazardous or flammable environment.

Each time you use the oven, heat it up gradually.

Light the fire on the front part of the refractory bed plate, under the flue, with kindling and a firelighter.

Using an oven glove, take the door by the handle, remove it, and place it on the shelf of the trolley.

Feed the fire to obtain the right baking temperature.

Your Invicta oven can also burn charcoal (2kg).

### *Recommendations*

- Before first use, preheat the oven. The wood or coal must be red-hot for at least 30 min.
- Wait for a layer of white ash to form over the glowing embers before starting to bake.
- Keep out of the reach of children
- Do not leave lit oven unattended.
- We strongly recommend that you use only dry natural wood.
- Do not leave door constantly shut.
- Do not smother the fire by completely shutting the door.
- Do not touch oven surfaces during use (risk of severe burns).
- Never disassemble the oven while it is working or still hot.
- Never put out the fire with water.
- Have a metal pail on other suitable container on hand to collect the cool ashes the next day.
- Never clean the bed plate with water or detergent products.
- Do not leave your Invicta oven out in bad weather.
- Invicta will not be held liable if the above guidelines are not followed.

Note: Cracking may appear on the bed plate during use. This is normal and does not affect oven performance.

### *Safety precautions*

**WARNING! The oven gets very hot. Do not move it during use.**

**WARNING! Do not use indoors.**

**WARNING! Do not use alcohol, petrol or lighter fluid to light or relight the oven.**

**WARNING! Keep children and pets well away from the oven.**

**MADE IN FRANCE**