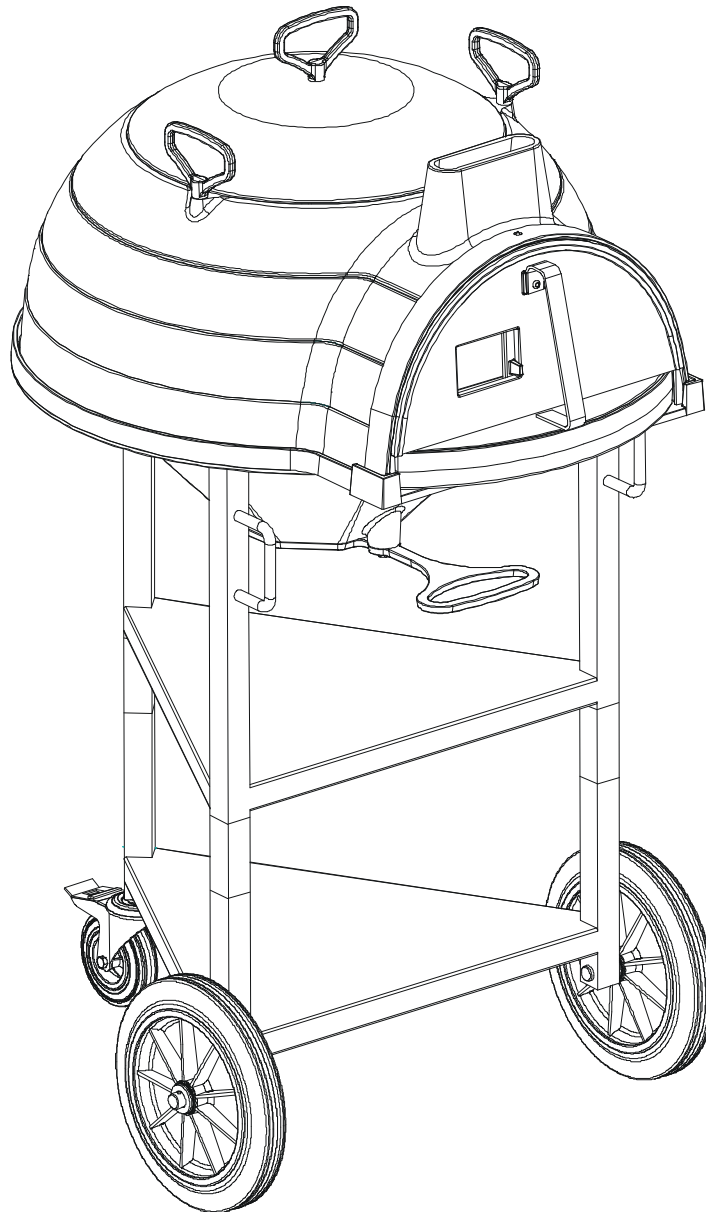
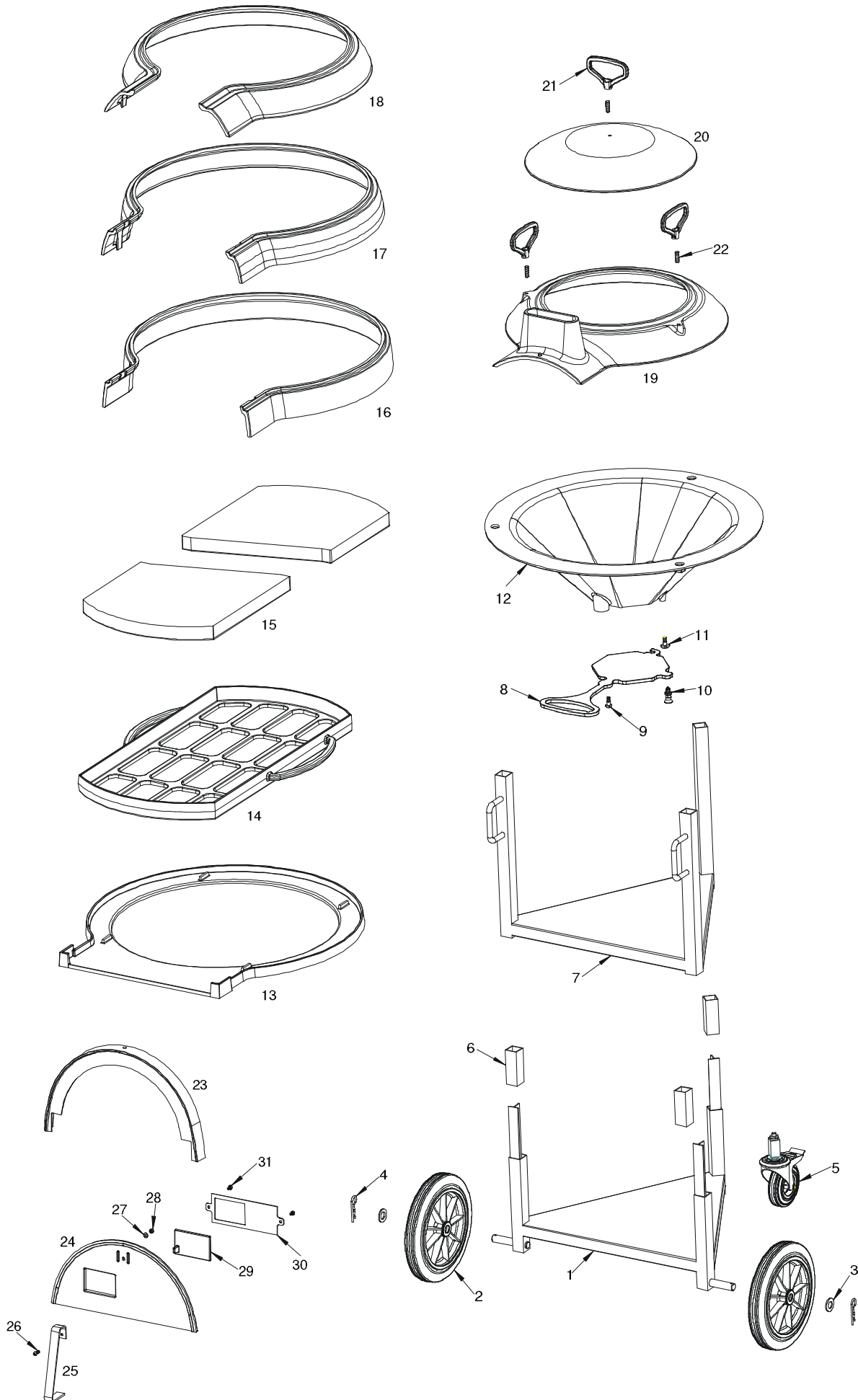


AD737600A
December 2009



Assembly instructions

- Put the large wheels (2) onto the axles of the trolley bottom (1).
- Put on the washers and the pins (4.)
- Insert single small wheel (5) into the trolley. Tighten with an 8mm Allen wrench then attach the wheel to its holder using two 13mm wrenches. (See detail p.5)
- Turn the trolley over and stand it on its wheels.
- Optional separators (6) may be used depending on the desired height.
- Insert the upper trolley (7)
- Attach the cone unit to the trolley by inserting the bumps on the cone into the tubes.
- Position the base (Fig 13).
- Insert the brick holder.
- Put in the bricks (15).
- Attach rings (Figs. 16, 17, 18, 19) and cover (20).
- Attach the arch frame (23).
- Attach the door.



Item	Qty	Item name	Model:
1	1	Trolley bottom	AT276001A
2	2	Ø300 wheel	AT486000A
3	2	Ø20 washer	AV4100201
4	2	Linchpin	AV6360041
5	1	Ø125 wheel	AT496000A
6	3	Spacer	AT276002A
7	1	Trolley top	AT276003A
8	1	Cone handle	FB 7376012
9	1	□14 step screw	AS750251
10	1	Locking bolt	AD 737601
11	1	□20 step screw	AS206760A
12	1	Cone	FB 7376011
13	1	Base	FB 7376001
14	1	Slab	FB 7376002
15	2	Fire brick	AT737600A
16	1	Ring 5	FB 7376003
17	1	Ring 4	FB 7376004
18	1	Ring 3	FB 7376005
19	1	Ring 2	FB 7376006
20	1	Cover	FB 7376007
21	3	Handle	FB 7376008
22	3	10X30 Headless Screw	AV8710300
23	1	Arch frame	FB 7376009
24	1	Hearth door	FB 7376010
25	1	Door Handle	AT406760A
26	1	6X20 Crowned screw	AV8686200
27	1	No 6 Washer	AV4110060
28	1	No 6 Hexagonal Nut	AV7100060
29	1	Lighting position	FB 7376014
30	1	Lighting position base	AT416760A
31	2	Hexagonal Screw 6x10	AV8406100

Please note.

Your new Invicta multifunction oven is for household, not professional use.

Use outdoors only.

Familiarize yourself with your new oven before using it for the first time. Carefully read the recommendations, assembly instructions and operating instructions.

Getting started

Place the assembled oven on a flat, stable surface, away from any hazardous or flammable environment.

Once the oven is in position, set the safety brake at the back of the trolley.

Each time you use the oven, heat it up gradually.

Light the fire on the front part of the refractory bed plate, under the flue, with kindling and a firelighter.

Using an oven glove, take the door by the handle, remove it, and place it on the shelf of the trolley.

Feed the fire to obtain the right baking temperature.

Your Invicta oven can also burn charcoal (2kg).

Recommendations

- Before first use, preheat the oven. The wood or coal must be red-hot for at least 30 min.
- Wait for a layer of white ash to form over the glowing embers before starting to bake.
- Keep out of the reach of children
- Do not leave lit oven unattended.
- We strongly recommend that you use only dry natural wood.
- Do not leave door constantly shut.
- Do not smother the fire by completely shutting the door.
- Do not touch oven surfaces during use (risk of severe burns)
- Never move or disassemble the oven while it is working or still hot.
- Before lighting, check that the ash trap door is properly shut, to avoid spilling embers.
- Never put out the fire with water.
- Have a metal pail on other suitable container on hand to collect the cool ashes the next day.
- Never clean the bed plate with water or detergent products.
- Do not leave your Invicta oven out in bad weather.
- Invicta will not be held liable if the above guidelines are not followed.

Note: Cracking may appear on the bed plate during use. This is normal and does not affect oven performance.

Safety precautions

WARNING! The oven gets very hot. Do not move it during use.

WARNING! Do not use indoors.

WARNING! Do not use alcohol, petrol or lighter fluid to light or relight the oven.

WARNING! Keep children and pets well away from the oven.

MADE IN FRANCE

Exploded diagram for Ø125 wheel assembly, Model AT496000A

